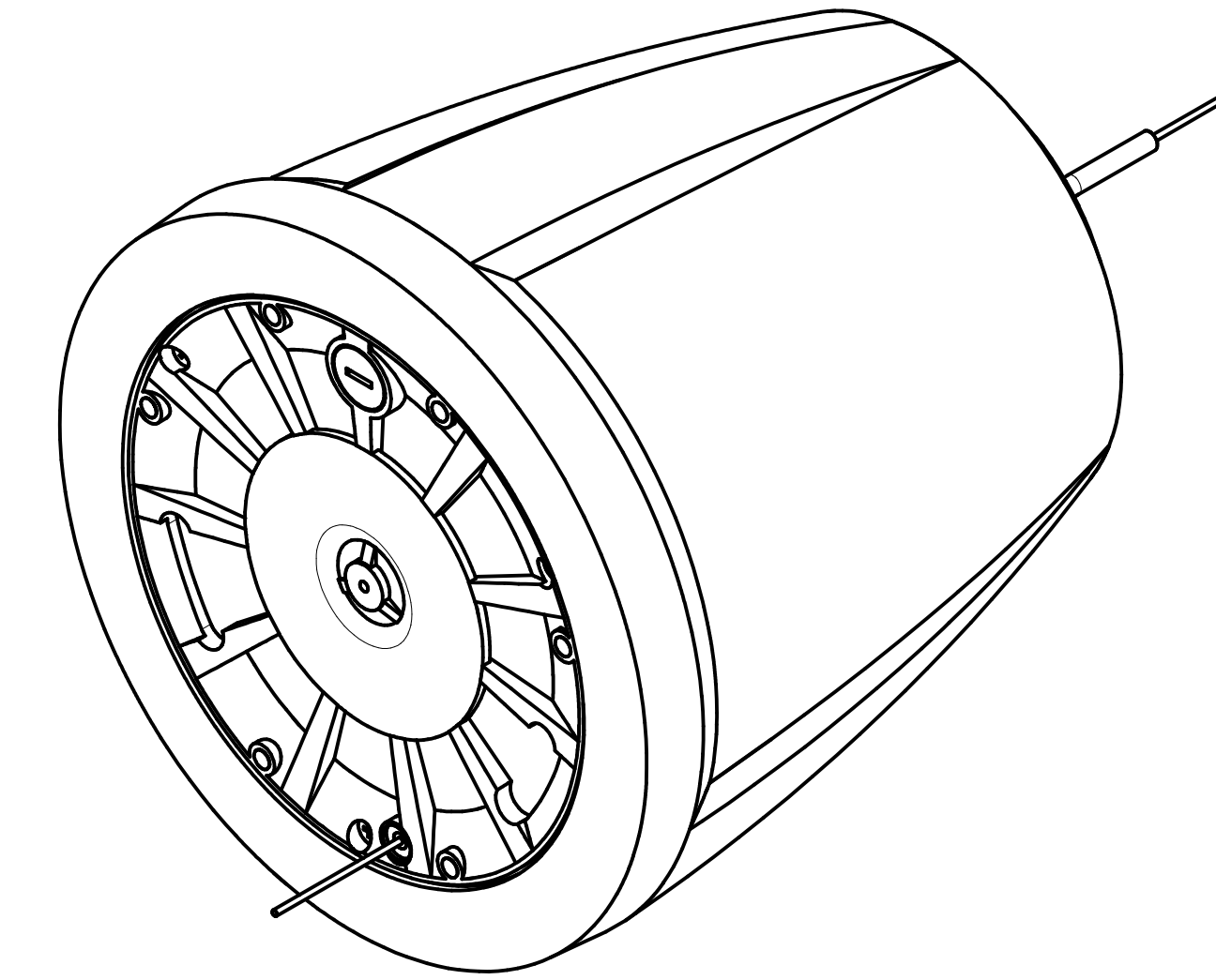
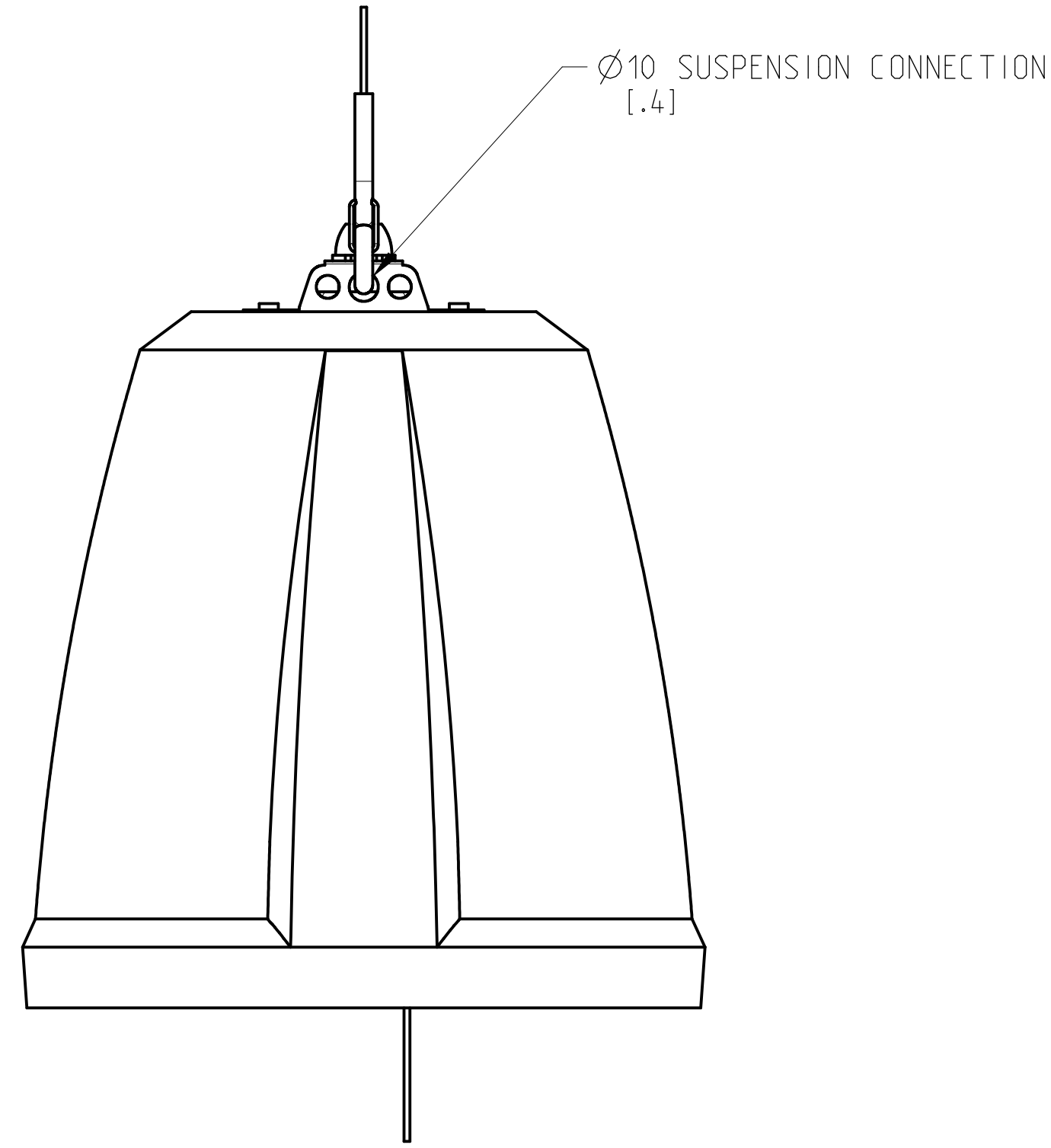


THIS DOCUMENT CONTAINS PROPRIETARY INFORMATION WHICH IS THE PROPERTY OF QSC, LLC. THAT MAY NOT BE DISCLOSED, REPRODUCED OR USED WITHOUT EXPRESS WRITTEN CONSENT FROM QSC, LLC.

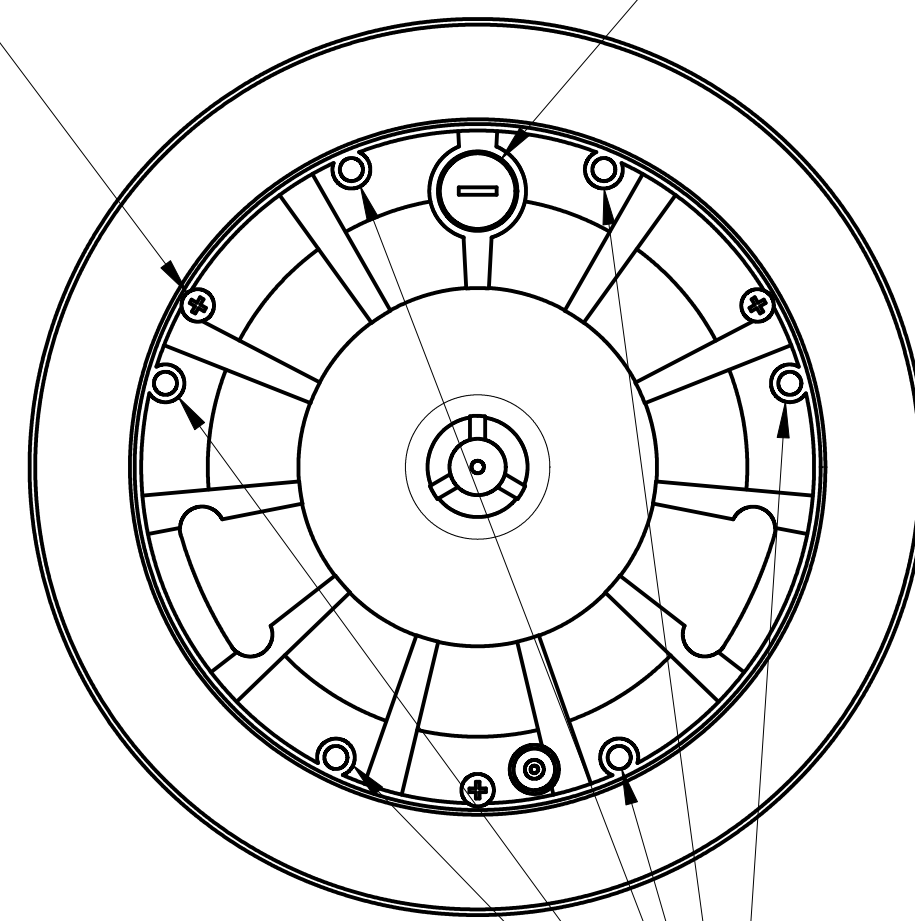
REVISIONS			
REV	DESCRIPTION	BY	DATE
A	RELEASE FOR SALES AND MARKETING	ES	17-MAY-16



3X LOUDSPEAKER MOUNTING SCREWS

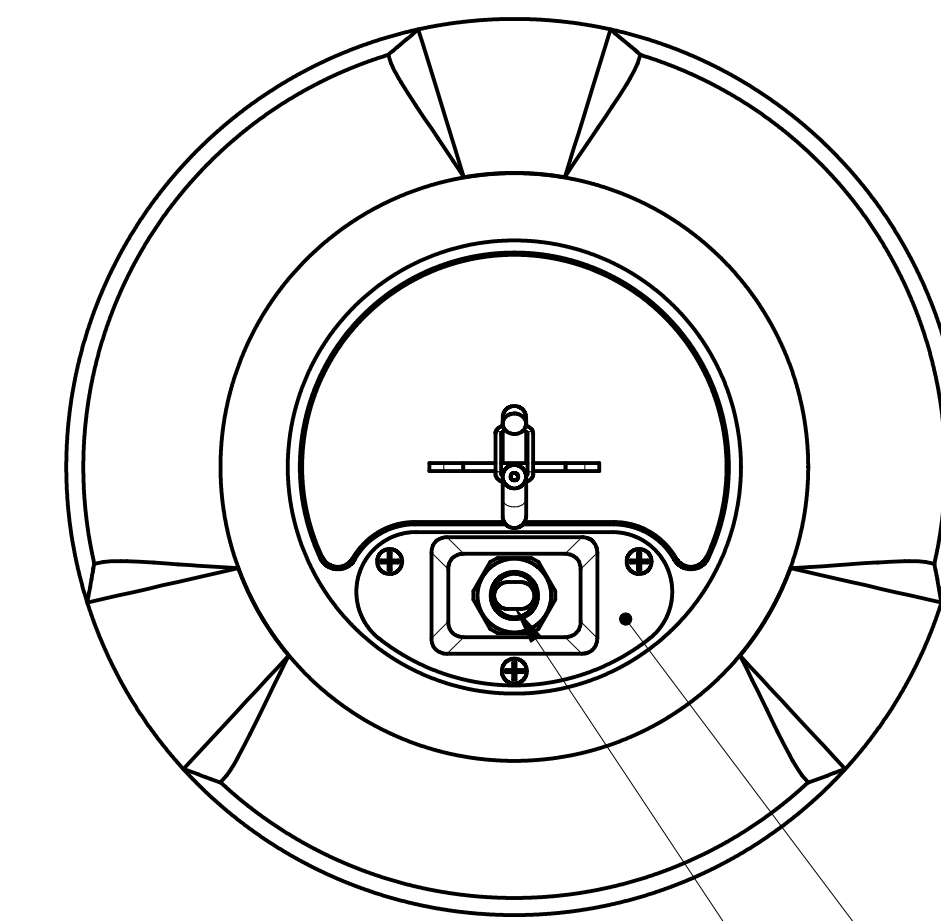
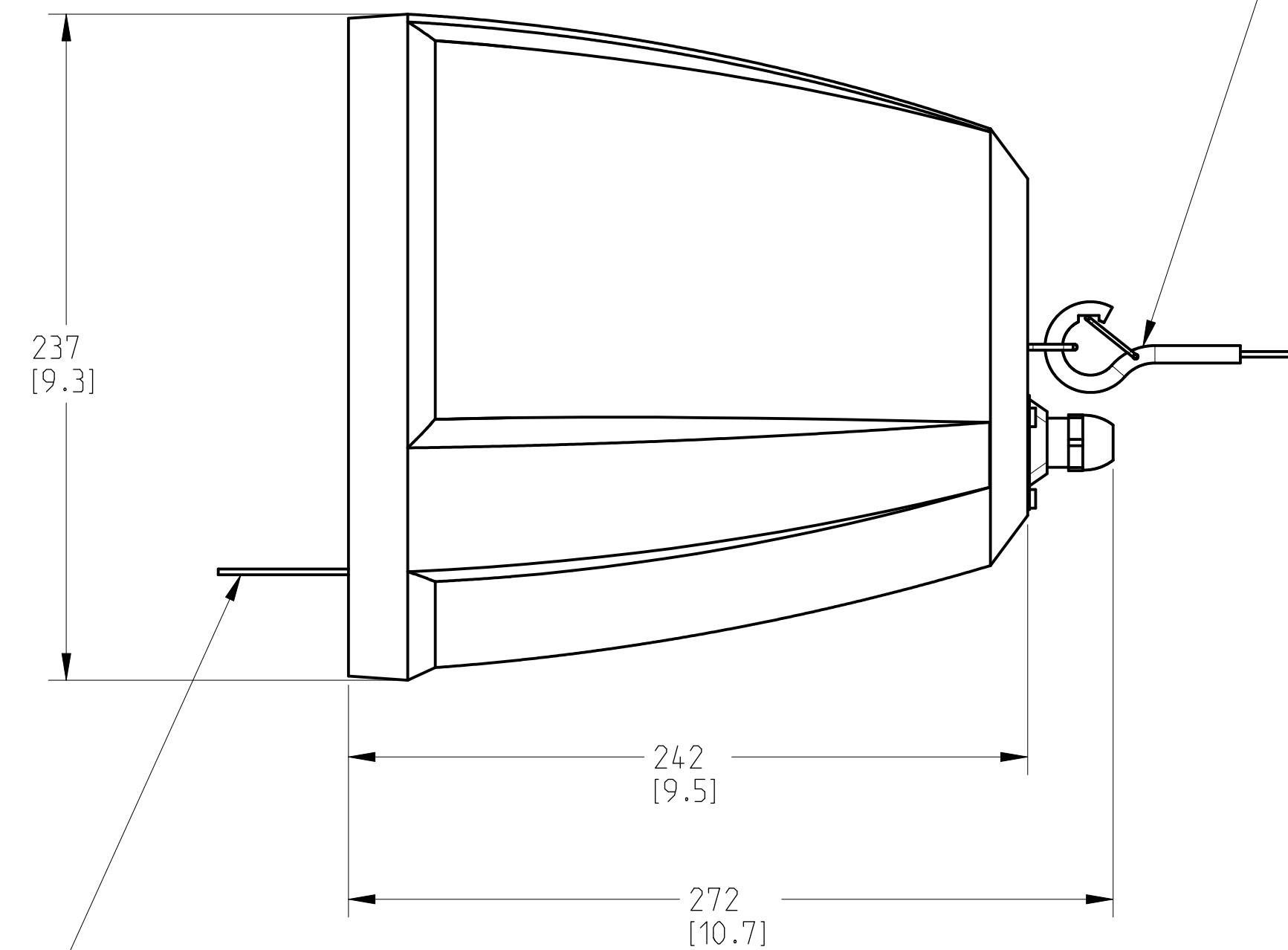
TAP SWITCH

SUSPENSION DEVICE;
REFERENCE THE ASSEMBLY INSTRUCTIONS
THAT SHIPPED WITH THIS PRODUCT.



GRILLE-MOUNT MAGNETS

GRILLE SAFETY TETHER



REMOVABLE COVER
(CUSTOMER CONNECTION INSIDE)

WIRE ENTRY
10.7 X 7.1 SLOT
[.42] [.28]

4. DIMENSIONS ARE IN MILLIMETER [INCH].
 3. GRILLE NOT SHOWN FOR CLARITY.
 2. TOLERANCES (MM): X±3, ANGLES: ±1°
 1. NET WEIGHT APPROXIMATELY 2.95 KG (6.5 LBS).
 NOTES: UNLESS OTHERWISE SPECIFIED.

UNLESS OTHERWISE SPECIFIED DIMENSIONS IN MILLIMETERS (IN) TOLERANCES ARE: DECIMALS DECIMALS ANGLES .X±.5(.02) .XX±.25(.01) ± 1/2 DECURR EDGES .25 (1.01) R MAX MATERIAL FINISH	DESIGNER ENG. SERVICES	QSC, LLC 1675 MACARTHUR BOULEVARD COSTA MESA, CA 92626	SPEAKER, AD-P4T, FINISHED								
	ENGINEER		TECHNICAL DIRECTOR	MANUFACTURING ENGINEER	<table border="1"> <tr> <td>SIZE</td> <td>CAGE CODE</td> <td>DRAWING NO.</td> <td>REV</td> </tr> <tr> <td>D</td> <td>00PW4</td> <td>FG-001408-2D</td> <td>A</td> </tr> </table>	SIZE	CAGE CODE	DRAWING NO.	REV	D	00PW4
SIZE	CAGE CODE	DRAWING NO.	REV								
D	00PW4	FG-001408-2D	A								
	DRAWING INFO: FG-001408-2D.A.0	SCALE: 0.500	DO NOT SCALE DRAWING	SHEET 1 OF 1							
	MODEL INFO: FG-001408-3D.A.0										