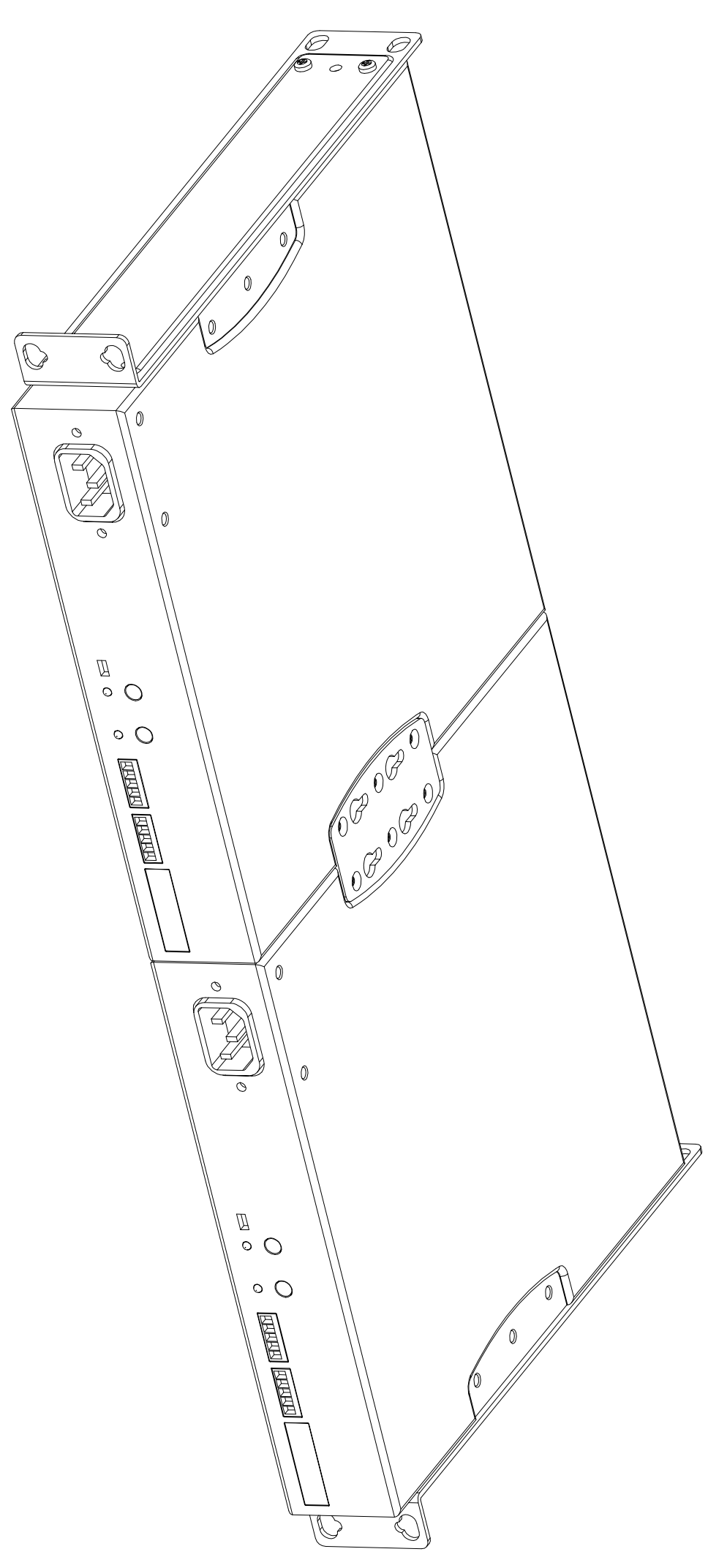
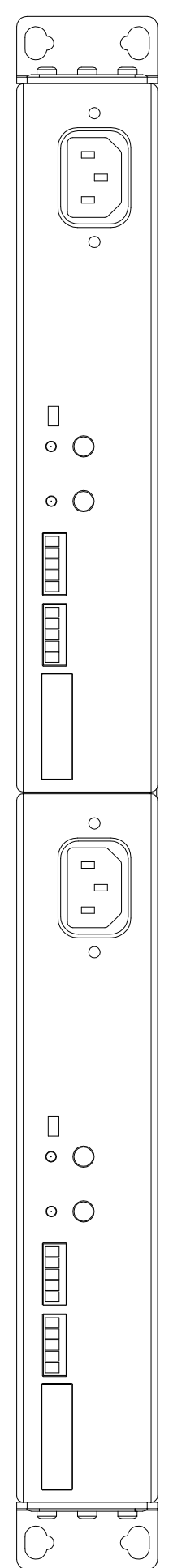
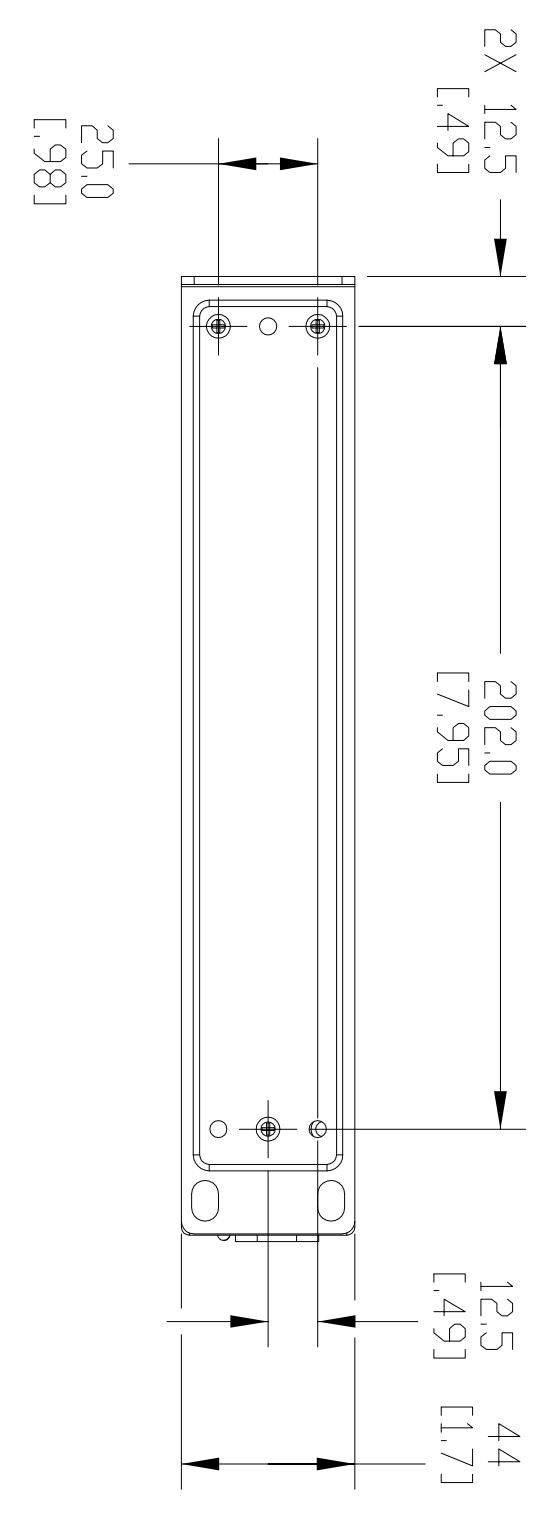
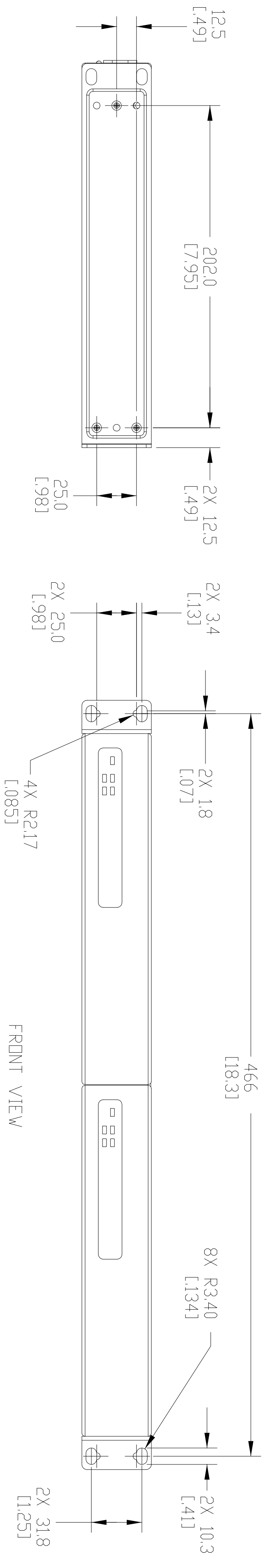
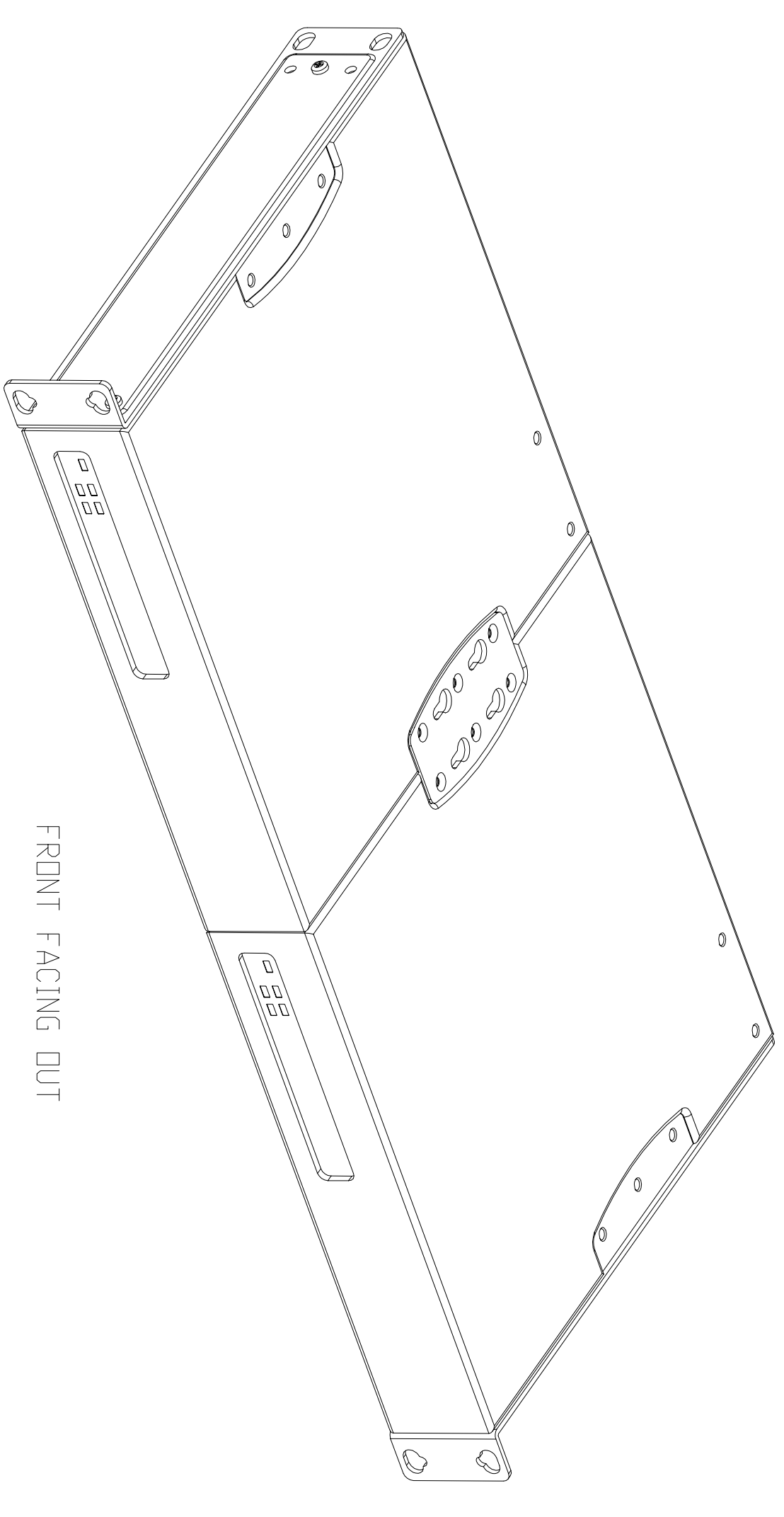
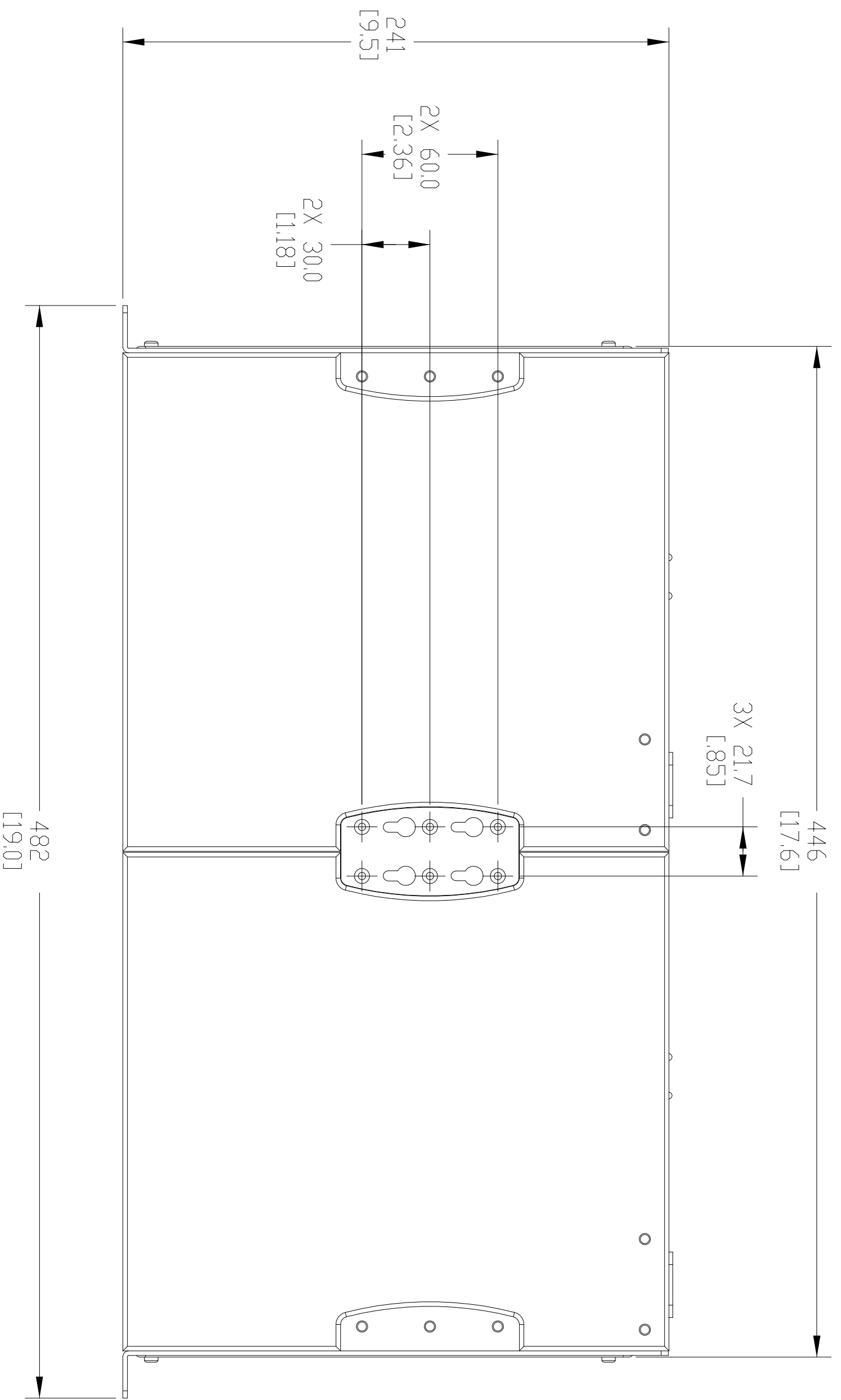


THIS DOCUMENT CONTAINS PROPRIETARY INFORMATION
 WHICH IS THE PROPERTY OF QSC AUDIO PRODUCTS.
 IT IS TO BE USED ONLY FOR THE PROJECT AND
 MAY NOT BE DISCLOSED, REPRODUCED OR USED WITHOUT
 EXPRESS WRITTEN CONSENT FROM QSC AUDIO PRODUCTS.



REV	DESCRIPTION	BY	DATE

REVISITONS

6. THE FRONT MOUNTING CONFIGURATION IS DIMENSIONED, THE REAR MOUNTING CONFIGURATION IS SIMILAR.

- MEETS UL2043 WITH PLENUM KIT FG-000995-00.
- MEETS ENERGYSTAR REQUIREMENTS.
- CHASSIS DESIGNED TO MEET 10 RACK MOUNT SPECIFICATION IEC60297-3-100.
- FEATURES SYMMETRICAL ABOUT CENTERLINE.
- NET WEIGHT OF SPA2-200 APPROX. 11 KG (3.5 LBS). HARDWARE IS ADDITIONAL WEIGHT.

NOTES: UNLESS OTHERWISE SPECIFIED.

DIMENSIONS OTHERWISE SPECIFIED DIMENSIONS IN MILLIMETERS (MM)		DESIGNER ENGINEERING SERVICES		QSC	
TOLERANCES ARE: DECIMALS: 0.125MM ANGLES: 1/2° HOLE SIZES: XX 25.00MM DEBURR EDGES 25 (1.00) R MAX		MANUFACTURING ENGINEER		QSC AUDIO PRODUCTS, LLC 1675 MACARTHUR BOULEVARD COSTA MESA, CA 92626	
FINISH		DRAWING INFO MODEL: SPA2-200		SIZE: 00P W4 SCALE: 0.5000	
MATERIAL		MANUFACTURING ENGINEER		SPA2-200, TANDEM MOUNT, 19-INCH	
FINISH		MODEL: SPA2-200		SCALE: 0.5000	
FINISH		MODEL: SPA2-200		SCALE: 0.5000	

8 7 6 5 4 3 2 1