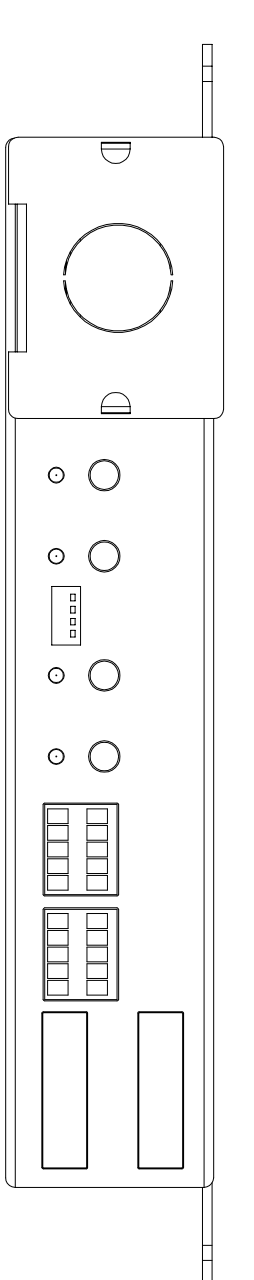
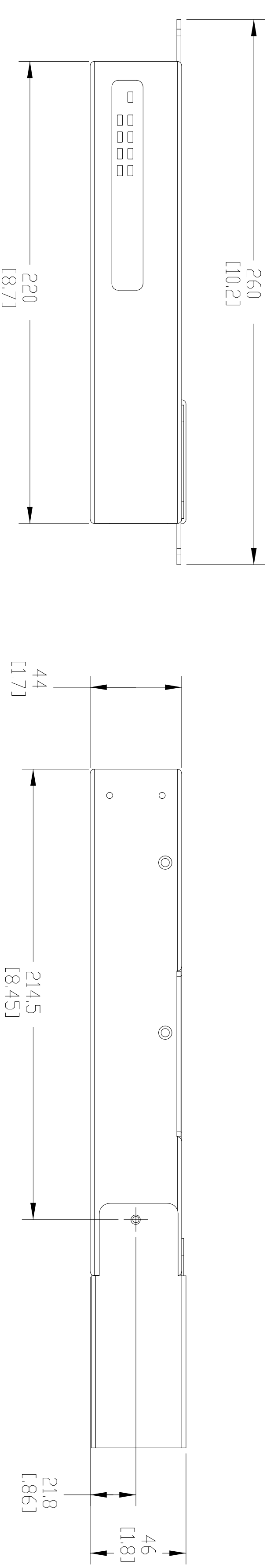
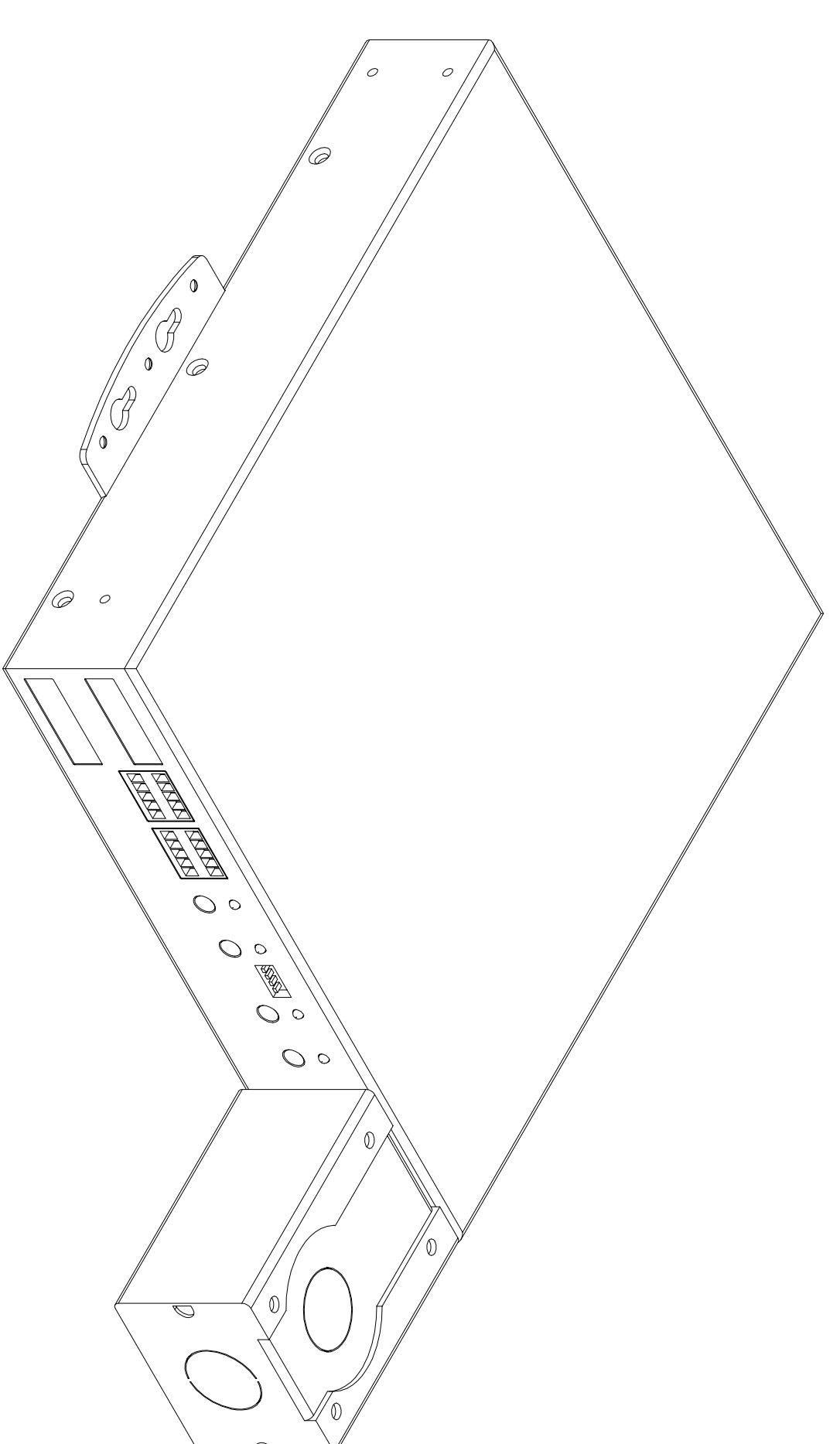
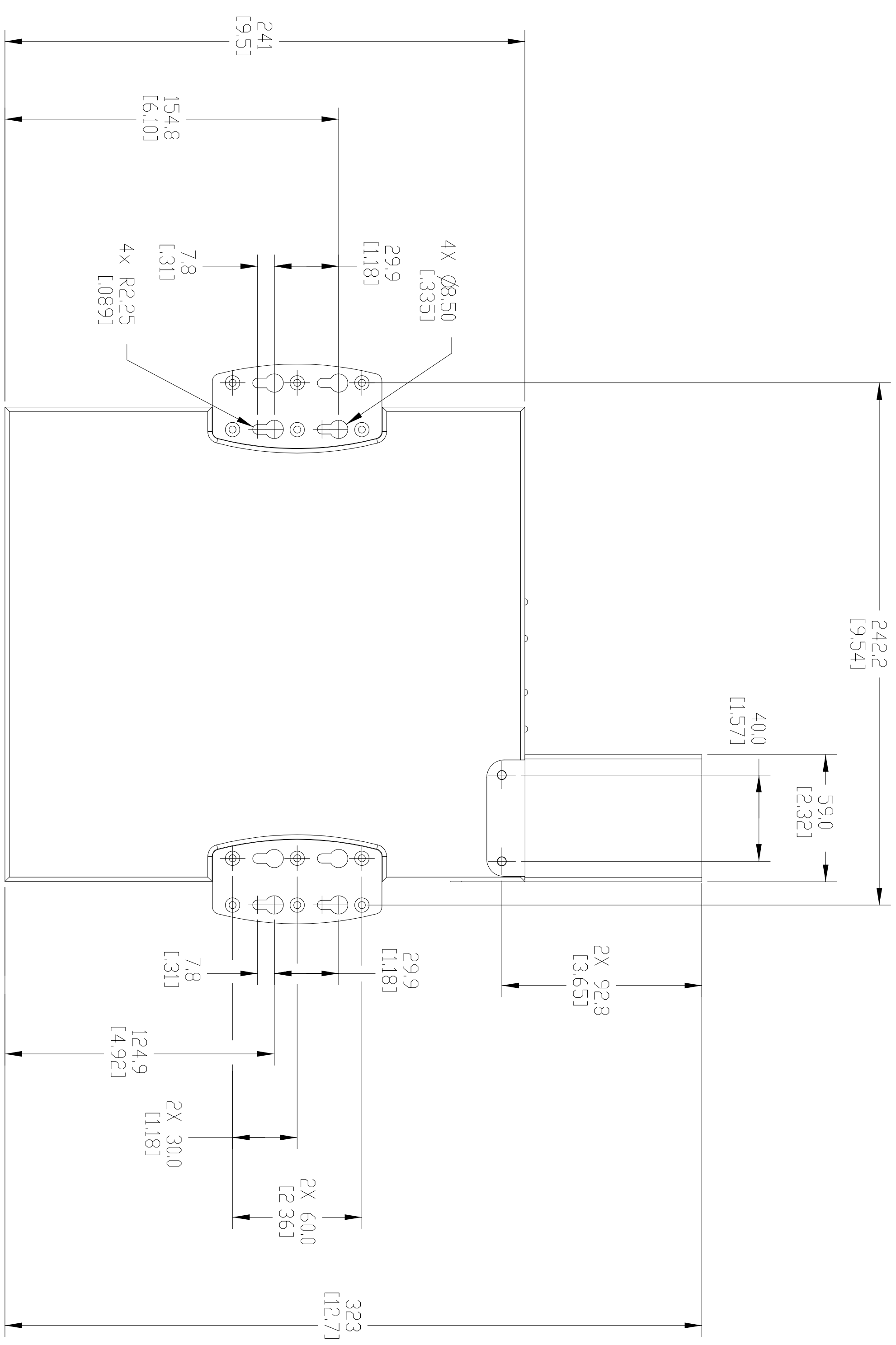


THIS DOCUMENT CONTAINS PROPRIETARY INFORMATION
 WHICH IS THE PROPERTY OF QSC AUDIO PRODUCTS, INC.
 IT IS NOT TO BE DISCLOSED, REPRODUCED OR USED WITHOUT
 EXPRESS WRITTEN CONSENT FROM QSC AUDIO PRODUCTS.

REVISITONS		BY	DATE
REV	DESCRIPTION		



REAR VIEW

FRONT VIEW

5. MEETS UL2043 WITH PLENUM KIT FG-000995-00.
4. MEETS ENERGYSTAR REQUIREMENTS.
3. CHASSIS DESIGNED TO MEET 1U RACK MOUNT SPECIFICATION IEC60297-3-100.
2. FEATURES SYMMETRICAL ABOUT CENTERLINE.
1. NET WEIGHT OF SPA4-60 APPROX. 14 KG (4.0 LBS). HARDWARE IS ADDITIONAL WEIGHT.

NOTE: UNLESS OTHERWISE SPECIFIED.

DIMENSIONS UNLESS OTHERWISE SPECIFIED DIMENSIONS IN MILLIMETERS (IN)		DESIGNER ENGINEERING SERVICES	
TOLERANCES ARE: DECIMALS DECIMALS ANGLES X .30(2) XX .25(0.01) 1/2		ENGINEER	
DESIGNER EDGES 25 (1.00) R MAX MATERIAL		TECHNICAL DIRECTOR	
FINISH		MANUFACTURING ENGINEER	
DRAWING INFO MODEL INFO		QSC AUDIO PRODUCTS, LLC 1675 MACARTHUR BOULEVARD COSTA MESA, CA 92626	
SIZE D SCALE 0:600		SPA4-100, SURFACE MOUNT, PLENUM KIT	
DRAWING NO. DD NOT SCALE DRAWING		SHEET 1 OF 1	