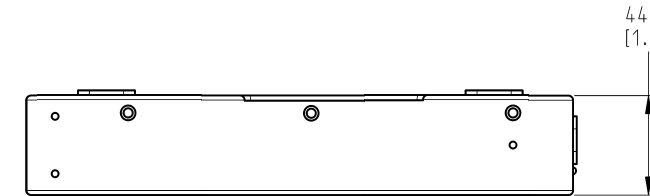
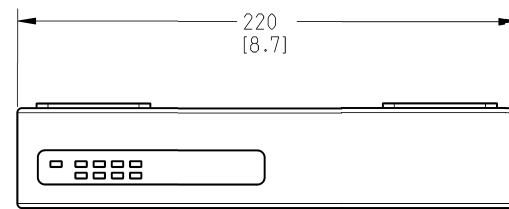
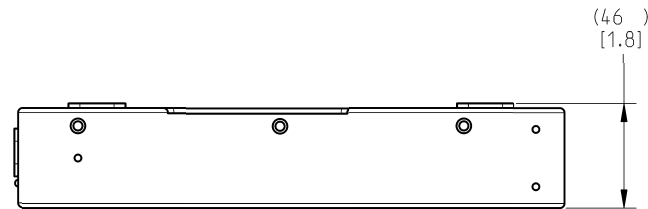
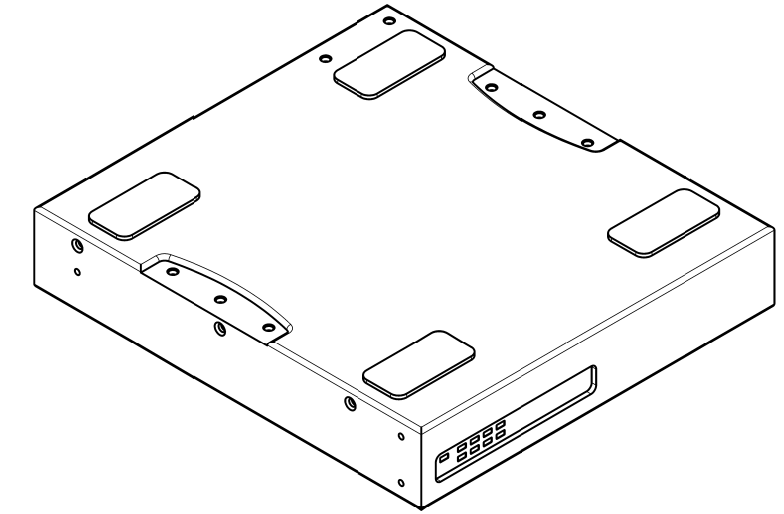
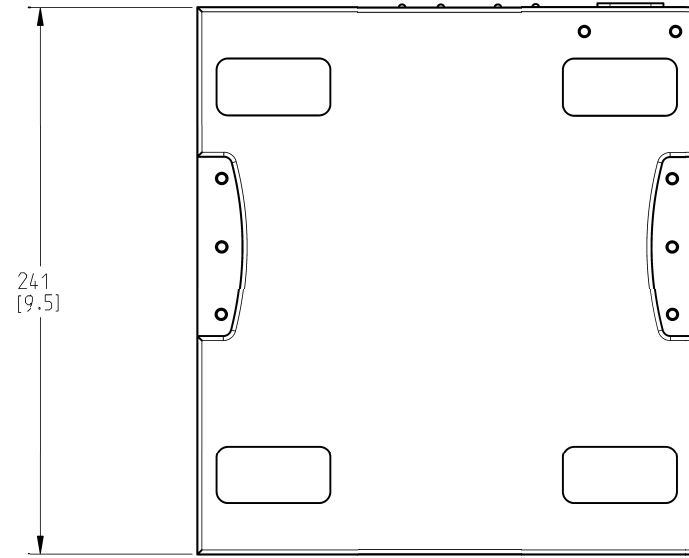
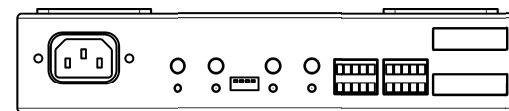


THIS DOCUMENT CONTAINS PROPRIETARY INFORMATION WHICH IS THE PROPERTY OF QSC AUDIO PRODUCTS. THAT MAY NOT BE DISCLOSED, REPRODUCED OR USED WITHOUT EXPRESS WRITTEN CONSENT FROM QSC AUDIO PRODUCTS.

REVISIONS			
REV	DESCRIPTION	BY	DATE
A	RELEASE FOR SALES AND MARKETING	SS	14-SEP-15



FRONT VIEW



REAR VIEW

- 5. MEETS UL2043 WITH PLENUM KIT FG-000995-00.
- 4. MEETS ENERGYSTAR REQUIREMENTS.
- 3. CHASSIS DESIGNED TO MEET 1U RACK MOUNT SPECIFICATION IEC60297-3-100.
- 2. FEATURES SYMMETRICAL ABOUT CENTERLINE.
- 1. NET WEIGHT OF SPA4-60 APPROX. 1.4 KG (4.0 LBS). HARDWARE IS ADDITIONAL WEIGHT.

NOTES: UNLESS OTHERWISE SPECIFIED.

UNLESS OTHERWISE SPECIFIED DIMENSIONS IN MILLIMETERS (IN) TOLERANCES ARE: DECIMALS DECIMALS ANGLES .X±.01 .XX±.01 ± 1/2 DEBURR EDGES .25 (.010) R MAX	DESIGNER	ENGINEERING SERVICES	QSC AUDIO PRODUCTS, LLC 1675 MACARTHUR BOULEVARD COSTA MESA, CA 92626
	ENGINEER	-	
	TECHNICAL DIRECTOR	-	SPA4-60, FREE-STANDING
	MANUFACTURING ENGINEER	-	SIZE CAGE CODE DRAWING NO. REV
FINISH	-	DRAWING INFO: FG-004404-2D-E.A.2	D 00PW4 FG-004404-2D-E A
	MODEL INFO: FG-004404-3D-E.A.2	SCALE: 0.600 DO NOT SCALE DRAWING SHEET	1 OF 1